

# Portable Talas Dryer

## General Technical Description

### About the Device

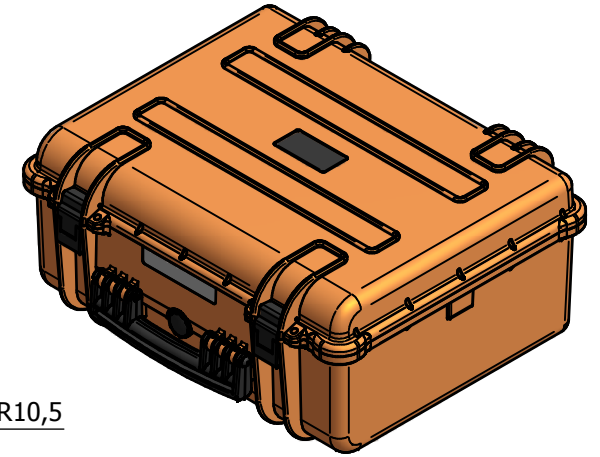
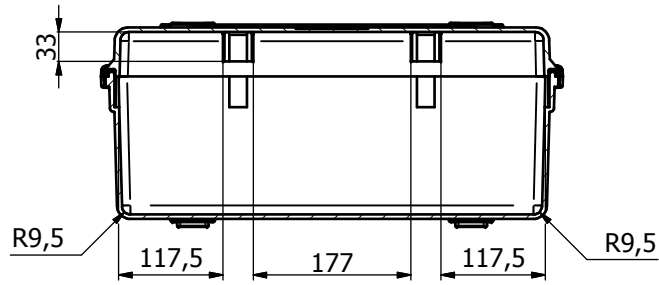
Portable Talas Dryer has been designed for automated insulation recovery of asynchronous low and high voltage alternating current motors. When a low insulation resistance has been noticed during a regular maintenance check Portable Talas Dryer is connected to two phases and ground of the electric motor. It automatically measures the insulation resistance and then starts to inject direct current impulses to the motor. In adjustable cycles the device makes a short insulation resistance measurement and then continues the drying process by injecting the direct current impulses to the motor. After the insulation resistance has reached the adjustable high level the device stops the drying process and goes into idling mode until it is switched off or put into PAUSE-mode via remote ModBus command. Portable Talas Dryer has a standard ModBus protocol and RS485 interface for exporting the operational data to any cloud service or control system via M2M-modem or direct cable connection. For convenient installation of M2M-modem Portable Talas Dryer has a short DIN-Rail, separate RS485 connector, standard mains socket, 5VDC USB-socket and access to 12VDC power supply.

Technical Data	
Input voltage	220-240 or 380 – 440 VAC (mains)
Maximum Input current	16A
Maximum Power consumption	3500W (1 phase) or 6000W (3 phase)
Minimum phase to phase resistance for accurate drying current control	1 phase: 0.04Ω 3 phase: 0.06Ω
Drying voltage	1 phase: 4 – 200 VDC 3 phase: 6 – 350 VDC
Maximum drying current	150A or 220A
Insulation resistance test voltage	105 VDC
Communication protocol	ModBus, RS485
Measuring range	0.2 - 60MΩ
IP	54
External dimensions	480mm L x 370mm W x 205mm D
Weight (50A)	11,80kg
Color	Orange

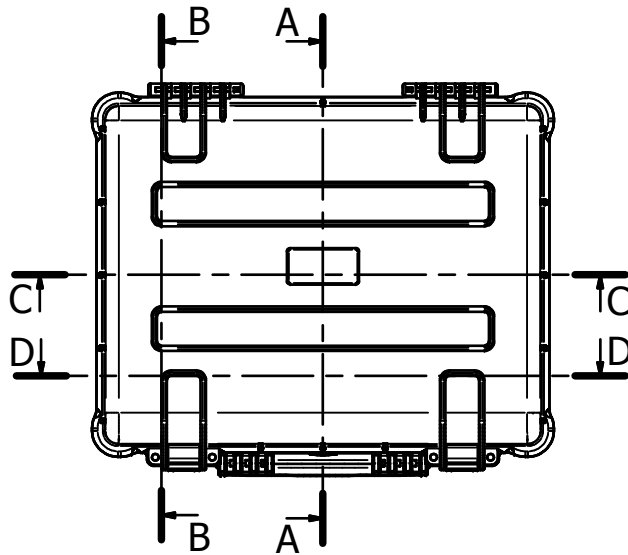
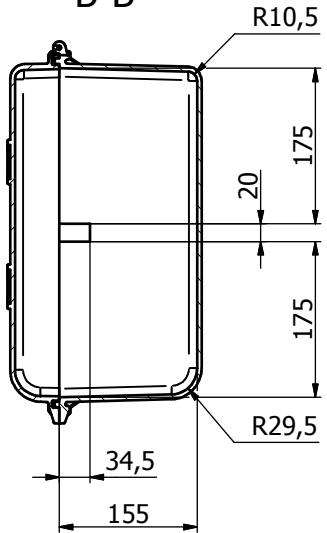
Portable Talas Dryer Models	
Model	Current
PTD150-1 (1 phase)	150A
PTD200-3 (3 phase)	200A
PTD150-1 (1 phase)	150A
PTD200-3 (3 phase)	200A

*Appendix 1: Dimensional drawing*

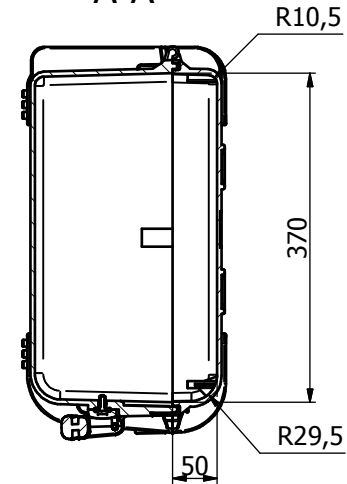
C-C



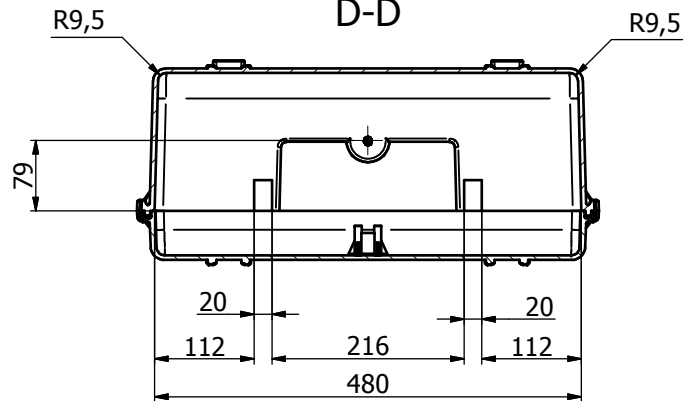
B-B



A-A



D-D



EXPLORER CASES  
Internal dimension-general tolerance +/-1.5%  
GT Line - TechDept - All rights reserved

Note		Scale	Size	General Clearance
ALL DIMENSIONS IN mm			A3	
Material		Treatment		Color
Designer	Date	Check	Date	Replace by
	23/05/2012			
Description		Date		
		File Name		Revision
		4820		